

EFCO Clic® SKH Radiating Cable Clamp

1. Product description

One-piece, easy-closing plastic pipe clamp for the fixing of radiating cables in road and railway tunnels and buildings.

2. Application areas

- Fixing of radiating cable in tunnel construction
- Electrical installation in infrastructure buildings
- UV and heat stabilized for outdoor applications

3. Features

- Simple and quick fixing
- Sturdy large base for stable installation on any surface
- Pre-fixing of the radiating cable in the integrated suspension fork
- Closing system without additional screws
- Secure closure, no opening
- Fixed wall distance 80 mm
- Integrated fire protection device
- Wide range of optimized fixing materials for all substrates available
- Adapter for attaching an EFCO CLIC®
- Clic assembly with bayonet lock, simple 90° rotation.



option

4. Technical data

| Type Nom Ø | Item Nr. | Clamping range [mm] | | weight [g] | perm. load [N] | | energy value |
|---------------|----------|---------------------|------|---------------|----------------|-----|-----------------|
| | | min. | max. | | Fx* | Fy* | |
| SKH ½ " | A88570 | 13,7 | 16,2 | 57.8 | 300 | 300 | 1.83 MJ |
| SKH ⅞ " | A88571 | 26,5 | 29,5 | 61.8 | 300 | 300 | 1.95 MJ |
| SKH 1¼ " | A88572 | 37,0 | 41,0 | 64.3 | 300 | 300 | 2.04 MJ |
| SKH 1⅝ " | A88573 | 44,2 | 50,0 | 66.9 | 300 | 300 | 2.12 MJ |

| Adapter fit for | Item Nr. | Fit for Clic sizes | | weight [g] | perm. load [N] | | energy value |
|--------------------|------------|--------------------|---------|---------------|----------------|-----|-----------------|
| | | min. | max. | | Fx* | Fy* | |
| CLIC | integrated | Clic 8 | Clic 25 | integrated | 120 | 120 | integrated |

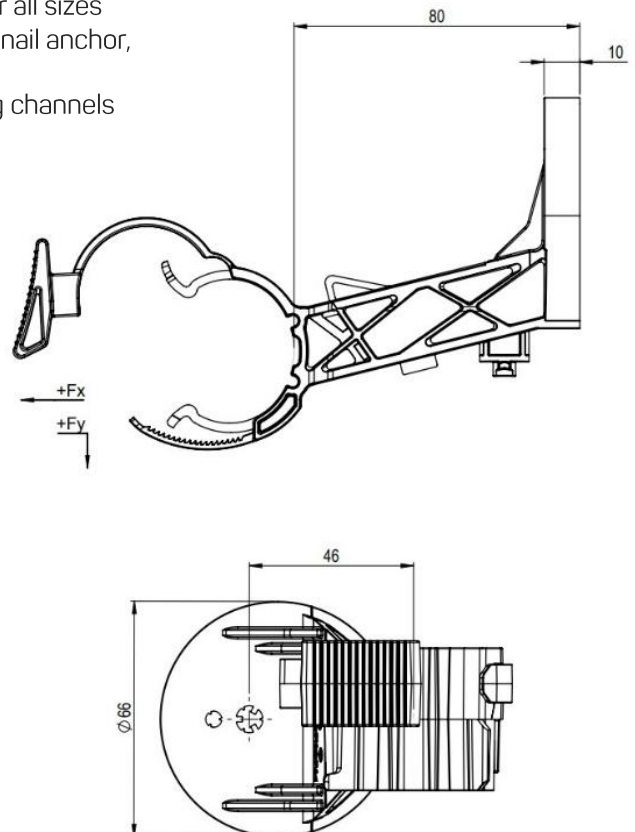
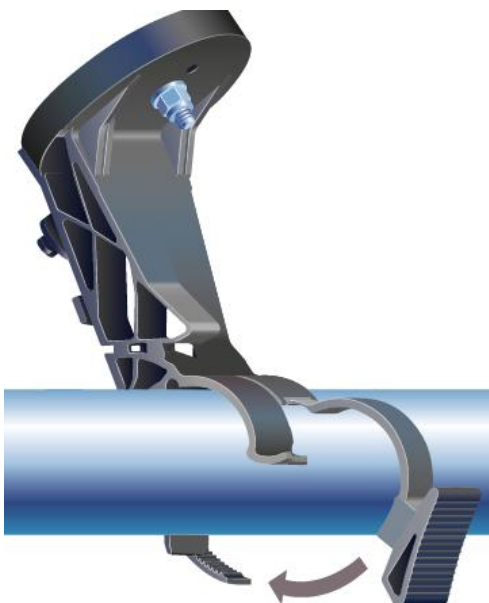
* see sketch next page(mm)

5. Material characteristics

| Material features | PA 66 mod. | Resistance |
|---------------------------------------|--------------|-----------------------------------|
| Density | 1.10 | heat stabilized |
| Tensile Strain Break [%] | > 25 | gasoline |
| Tensile Stress [MPa] | > 40 | hydrocarbonate |
| Tensile Modulus [MPa] | 1800 | Ketone |
| Water adsorption [%] | 2.3 | Alcohols |
| Max. service temperature contin. [°C] | +105 | weak acids |
| Mounting temperature [°C] | -20 bis +90 | Alkalis |
| Melting temperature [°C] | +260 | |
| Flammability according to UL 94 | HB | |
| Fire load [MJ/kg] | 33.0 | |
| Halogen | halogen free | |
| UV (acc. UL 746C) | f1 | suitable for outdoor applications |
| Standard colour | black | |

6. Mounting and Fixing

- Distance between fixing point and cable axis 46mm for all sizes
- Anchors/dowels \varnothing 6mm with 10 mm fixing height (e.g. nail anchor, bolt anchor, nail plug)
- Special fixings for grid ducts, cable trays and mounting channels available

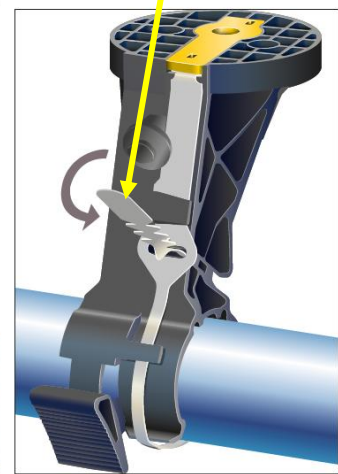
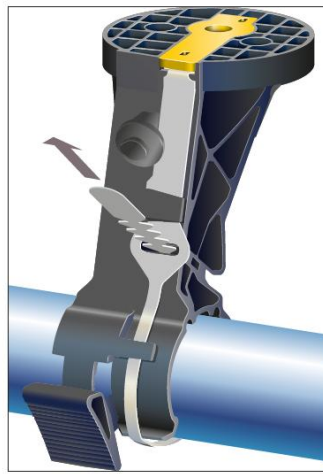
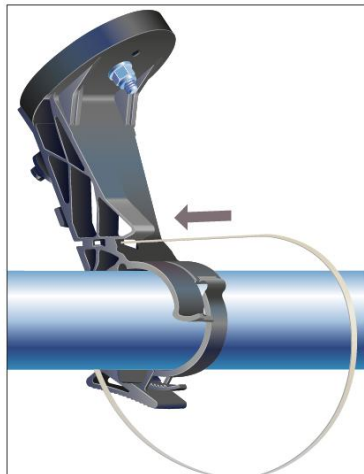


7. fire protection/fire protection tape Clic FSB-Set

- Clamp has the option of integrating a fire protection strap.
- No separate clamp necessary, can be mounted without tools!

| Type Nom Ø | Item Nr. | Material EN 10088 (AISI 316L) | Fire resistance acc. EN 1363-1 | |
|---------------|----------|-------------------------------------|-----------------------------------|-----------|
| | | | 50 N load | 100N load |
| FSB ½ " | A88490 | 1.4404 | >75 min | >45 min |
| FSB ⅜ " | A88491 | 1.4404 | >75 min | >45 min |
| FSB ¼ " | A88492 | 1.4404 | >75 min | >45 min |
| FSB 1⅝ " | A88493 | 1.4404 | >75 min | >45 min |

Twist the end of the strap 360° by hand to secure it.



8. Insulating plate Clic IPL for fire protection tape FSB (included in the Set)

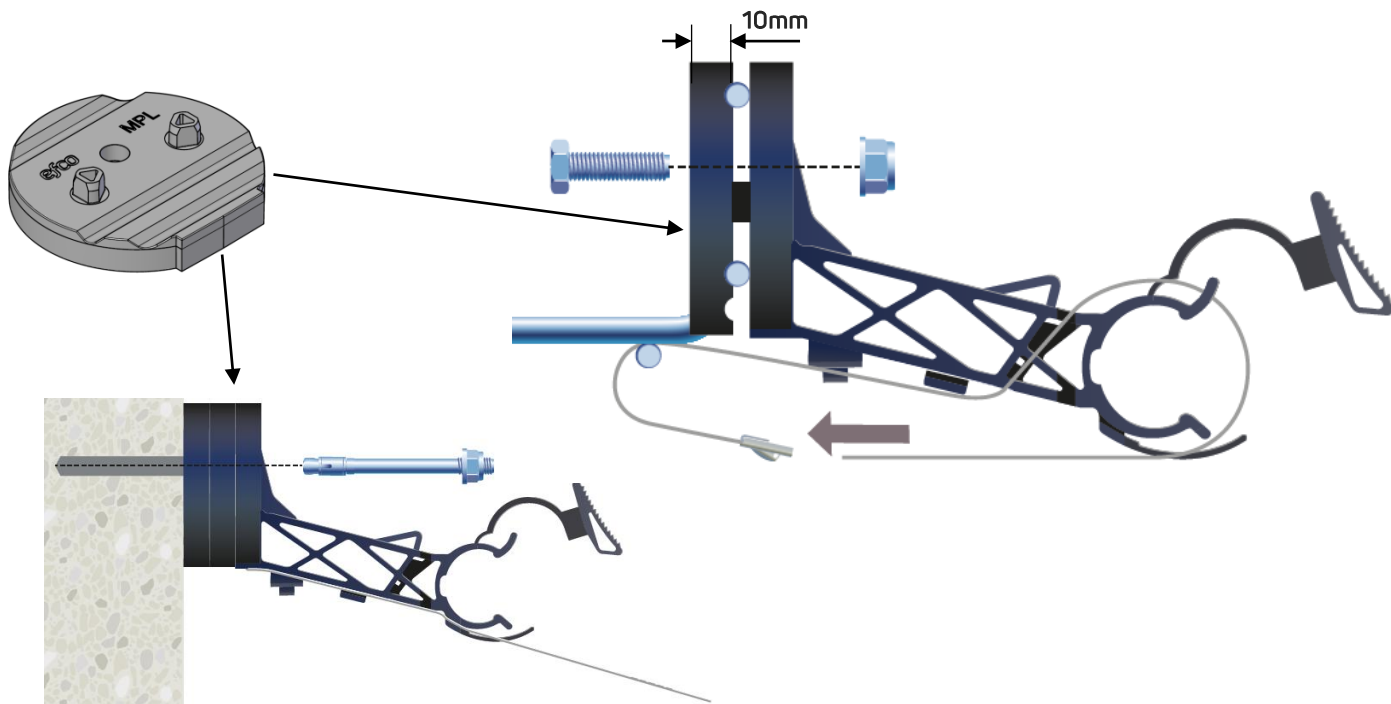
- The insulating plate for the fire protection tape (FSB) provides secure electrical isolation between the FSB and the ground and the fastening material.
- No PIM effect; The radiation is not negatively influenced by the FSB,
- The IPL fixes the pre-assembled FSB securely to the clamp.
- Due to the yellow signal colour of the IPL, it can be recognised during an inspection even when mounted.



9. Mounting plate/spacer Clic MPL

- Mounting plate for simple, positionally accurate attachment of the SKH to grid trays; suitable for grid bar spacing (37.5mm and 50mm).
- Spacer to increase the distance to the wall or to compensate for unevenness. Plate thickness 10mm, can be plugged in as often as required.

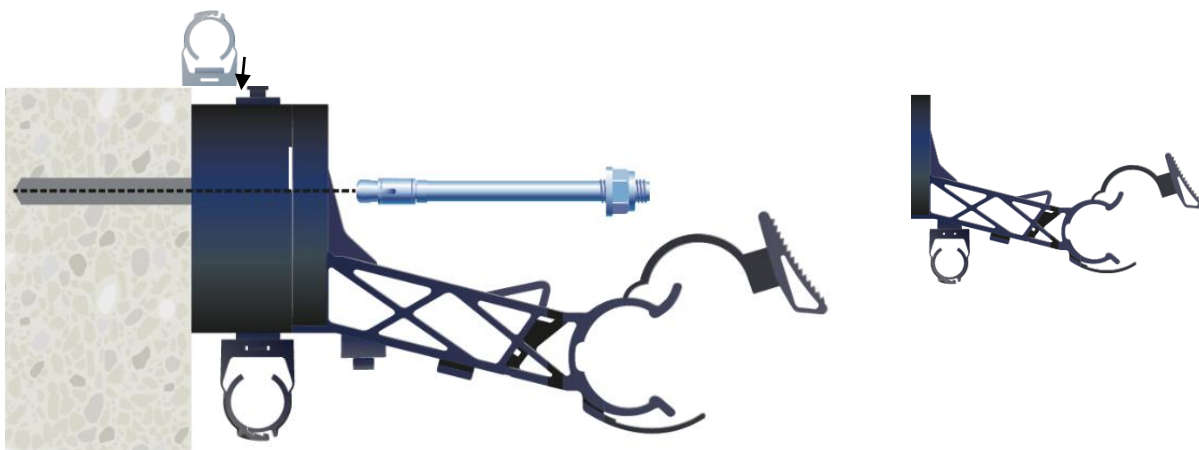
| Type | Item Nr. | Material | fits to | |
|------|----------|----------|---------|-----------|
| MPL | A88995 | PA6+GF | SKH | all sizes |



10. Socket CLIC SKH CSP

Socket plate 40mm high to SKH with adapters for 2 additional CLIC up to size CLIC Ø28

| Type | Item Nr. | Material | fits to | |
|------|----------|----------|-----------------|----------------|
| CSP | A88999 | PA6 + GF | all sizes SKH + | CLIC 8 – 28 mm |



11. Testings/authorizations/compliance

SKH: Tensile tests, transverse tensile tests

SKH: fatigue test

SKH: Load test at 80 °C

FSB: fire resistance test

Components are not subject to any standard or EAD.

Conformity of production according to the quality management system IATF 16949:2016 ensured

12. Safety data sheet

not required

13. Manufacturer/brand/production

EFCO Fixing Technology Ltd

Grabenstrasse 1 · 8606 Nanikon · Switzerland

Tel. +41 44 209 82 22 · www.efco.swiss · sales@efco.swiss

CLIC is a registered international trademark of EFCO and is 100 % Swiss made. CLIC SKH is patented